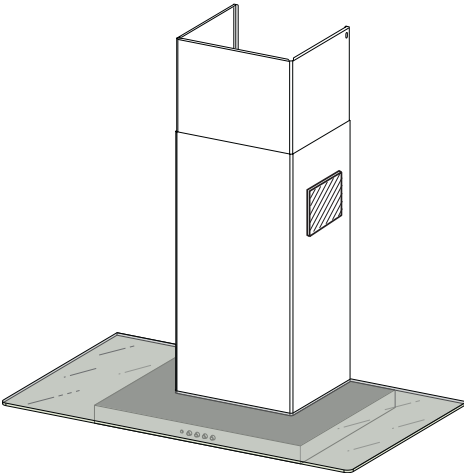



JLBIHD603 - JLBIHD904 built-in cooker hood

Instruction manual



John Lewis

Important Safety Information

-  It is most important that this instruction manual should be retained with the appliance for future reference. Should the appliance be sold or transferred to another owner, or should you move house and leave the appliance, always ensure that the book is supplied with the appliance in order that the new owner can get to know the functioning of the appliance and the relevant warnings. These warnings have been provided in the interest of safety. You MUST read them carefully before use or installation by a qualified person. If you are unsure of the meanings of these warnings contact the John Lewis branch from which you purchased the appliance.

Installation

- Any installation work must be undertaken by a qualified and competent person to the relevant National Standards.
- This hood must be installed in accordance with the installation instructions and all measurements must be adhered to.
- If the cooker hood is installed for use above a gas appliance then the provision for ventilation must be in accordance with the Gas Safety Codes of Practice BS.6172, BS.5440 and BS.6891 (Natural Gas) and BS.5482 (LP Gas) 1994, the Gas Safety (Installation & Use) Regulations, the Building Regulations issued by the Department of the Environment, the Building standards (Scotland) (Consolidated) Regulations issued by the Scottish Development Department.
- The fan motor of this cooker hood incorporates a cut-out device which will operate if the cooker hood is installed below the minimum height recommended under section 'Clearance Height', or if the motor becomes overheated. If the cut-out device is activated, switch off the fan motor and allow the cooker hood to cool. The cut-out device will reset itself when the fan motor has cooled significantly.
- It is dangerous to alter the specifications or modify this product in any way.
- When installed between adjoining wall cabinets the wall cabinets must not overhang the hob.
- If the room where the hood is to be used contains a fuel burning appliance such as a central heating boiler then its flue must be of the room sealed or balanced flue type.
- If other types of flue or appliances are fitted ensure that there is an adequate supply of air to the room.
- The ducting system for this appliance must not be connected to any existing ventilation system which is being used for any other purpose.
- Do not install above a cooker with a high level grill.

Child Safety

- This appliance is designed to be operated by adults. Children should not be allowed to tamper with the controls or play with the appliance.

Use

- This product is for domestic use only.
- Never leave frying pans unattended during use as overheated fats and oils might catch fire.
- Never do flambé cooking under this cooker hood.
- Do not leave naked flames under the hood.
- This cooker hood is designed to extract unpleasant odours from the kitchen, it will not extract steam.

Maintenance and Cleaning


- This appliance can be a hazard if the synthetic paper and charcoal filters are not replaced as recommended.

Service

- Under no circumstances should you attempt to repair the appliance yourself. Repairs carried out by inexperienced persons may cause injury or more serious malfunction. Refer to your local Service Force Centre. Always insist on genuine spare parts.



Environmental Information

- After installation please dispose of the packaging with due regard to safety and the environment.
- The symbol  on the product or on its packaging indicates that this product should not be treated as normal household waste. Instead it shall be handed over to an approved collection facility for the recycling of electrical and electronic equipment. By ensuring this product is disposed of correctly, you will help prevent potential negative consequences for the environment and human health, which could otherwise be caused by inappropriate waste handling of this product. For more detailed information about recycling of this product, please contact your local city office, your household waste disposal service or the shop where you purchased the product.

Contents

For the User

Important Safety Information	2
Description of the Appliance	4
Using the cooker hood	10
Cooker Hood Controls	10
To Operate	10
Recirculation	10
Extraction	10
Maintenance and Cleaning	11
External Cleaning	11
Metal Grease Filters	11
Charcoal Filters	12
To Remove/Replace Charcoal Filter	12
Changing the Light Bulb	12
Something Not Working	13
Repairs and After Sales Service	13

For the Installer

Electrical Connections	9
Electrical Requirements	9
Electrical Connection	9
Installing the Cooker Hood	5
Installation Requirements	5
Unpacking	5
Fitting the Wall Brackets	6
Fitting the Canopy Hood	6
Extraction	7
Recirculation	7
Fitting the Chimney Stack	8

Guide to use the Instruction Manual

The following symbols will be found in the text to guide you through the instruction book



Safety instructions



Step by step instructions



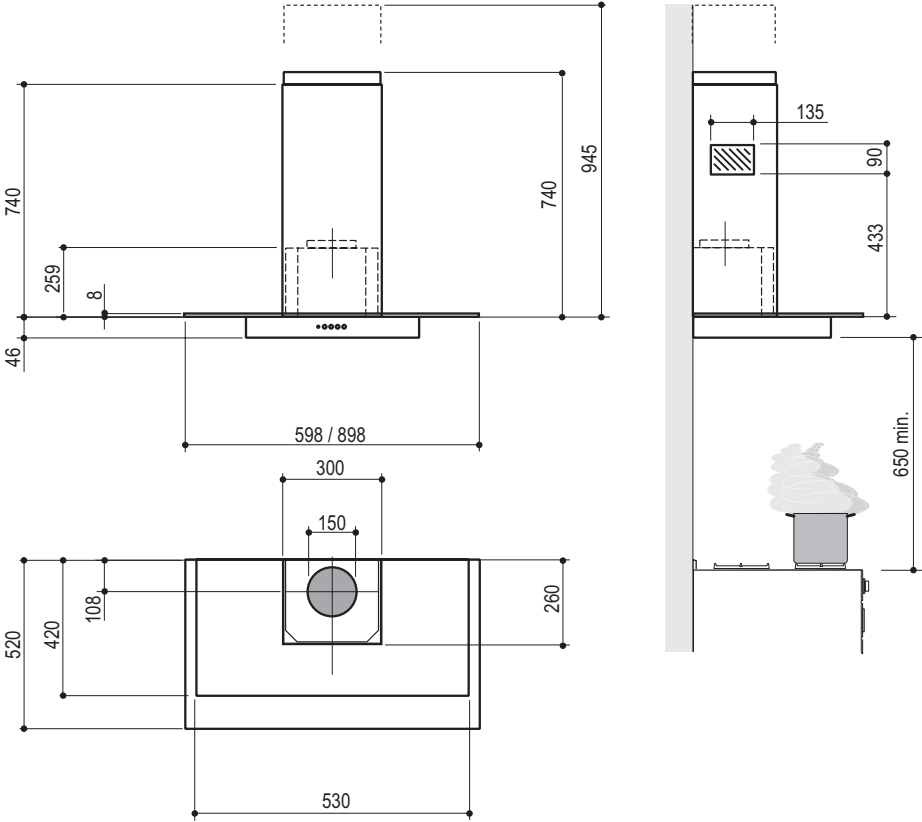
Environmental Information



This appliance complies with the followings **E.E.C. Directives**:


- **89/336** (Electromagnetic Compatibility Directive)
- **73/23** (Low Voltage Directive)
- **93/68** (General Directives) and subsequent modifications

Description of the Appliance




Installation

Please ensure that when the appliance is installed it is easily accessible to an engineer in the event of a breakdown.

 All installations must comply with the local authorities requirements for the discharge of exhaust air.

Incorrect installation may affect the safety of this cooker hood.

Installation Requirements

 Before installation check the wall to which the cooker hood is to be fitted for electric cables, water pipes or gas.

The chimney hood must be installed according to the instructions suppliers below and by qualified and competent personnel to the relevant National Standards.

This cooker hood is designed to be fixed to any vertical surface over a cooking area, and can be used in the extraction (ducted to the outside) or recirculation mode.

The installation work must be undertaken by a qualified and competent person.

The manufacturer disclaims any responsibility for damage due to incorrect installation of the cooker hood or if the hood is not installed in compliance with relevant regulations controlling this type of installation.

Unpacking

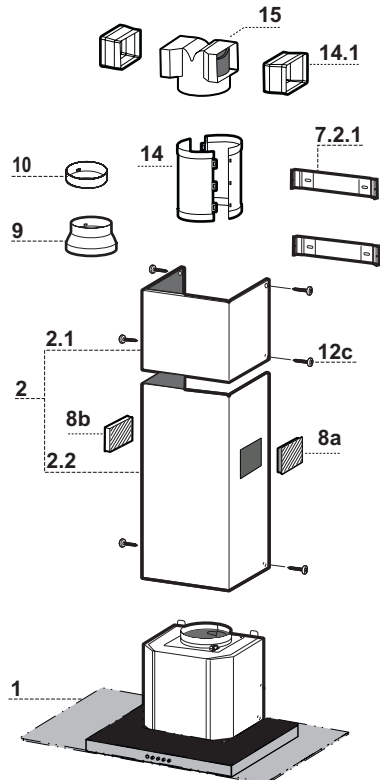
Before unpacking the cooker hood position the carton with the arrows pointing upwards as illustrated on the carton.

The cooker hood is made up of the following components:

Ref	Qty	Product Components
1	1	Canopy complete with: Controls, Lighting, Fan Assembly, Grease Filter, Charcoal Filter.
2	1	Telescopic Chimney comprising:
2.1	1	Upper Chimney Stack
2.2	1	Lower Chimney Stack
8a	1	Right-Hand Recirculation grille
8b	1	Left-Hand Recirculation grille
9	1	ø150-120 Ducting Spigot
10	1	ø120-125 Ducting flange
14	1	Ducting Extension Pipe
14.1	2	Recirculation Outlet Extensions
15	1	Recirculation Outlet Adapter

Ref	Qty	Installation Components
7.2.1	2	Upper chimney wall fixing brackets
12c	6	Chimney fixing screws

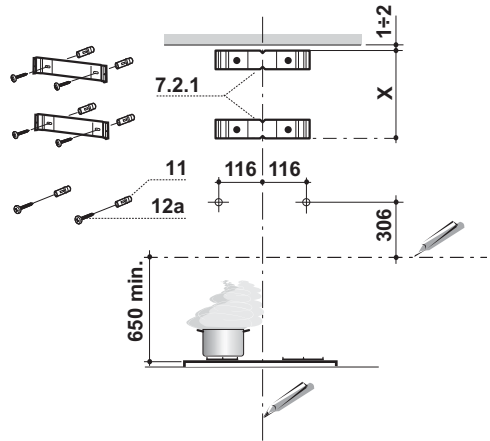
Ref	Qty	Documentation
1	1	Instruction booklet



Installing the Cooker Hood

Fitting the Wall Brackets

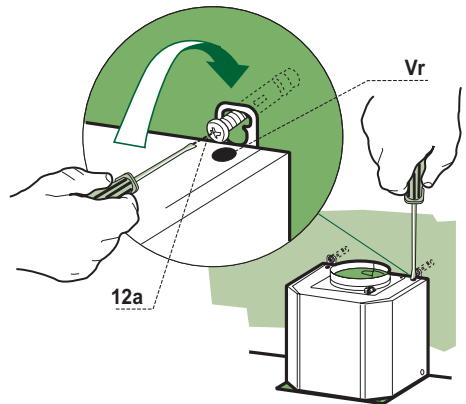
- Draw a vertical line on the supporting wall up to the ceiling, or as high as practical, at the centre of the area in which the hood will be installed.
- Draw a horizontal line at 650 mm above the hob.
- Place bracket item 7.2.1 on the wall as shown about 1-2 mm from the ceiling or upper limit aligning the centre (notch) with the vertical reference line.
- Mark the wall at the centres of the holes in the bracket.
- Place bracket item 7.2.1 on the wall as shown at X mm below the first bracket (X = height of the upper chimney section supplied), aligning the centre (notch) with the vertical line.
- Mark the wall at the centres of the holes in the bracket.
- Draw a horizontal line through the vertical at 306mm above the hob and mark two hole centres at 116mm either side of the vertical line.
- Drill \varnothing 8 mm holes at all the centre points marked.
- Insert the wall plugs (not supplied) in the holes.
- Fix the brackets using the screws (not supplied).
- Insert two screws into the two holes 116mm either side of the vertical line and tighten leaving a space between the underside of the screwhead and the wall of 5-6mm.



Note: If the hood is to be installed onto a hollow construction or plaster or partition board wall then special fixing screws will be required (not supplied).

Fitting the Canopy Hood

- Before starting to fix the hood body, tighten the two screws item Vr located on the top of the hood body.
- Hook the hood body onto the two screws item 12a.
- Fully tighten the screws item 12a.
- Using a screw driver and spirit level, adjust the screws item Vr until the hood body is level.



Extraction (Ducted)

The cooker hood is more effective when installed in the extraction mode (ducted to the outside).

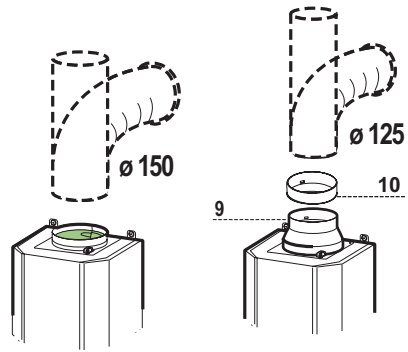
Venting kits may be purchased through your retailer or DIY store, and must be evacuated through an outside vent of $\varnothing 125$ (5ins) or $\varnothing 150\text{mm}$ (6ins).

The ducting used must be manufactured from fire retardant material conforming to the relevant British Standard or DIN 4102-B1.

When the cooker hood is ducted to the outside the charcoal filter must be removed.

Fitting the Ducting

- Fit the $\varnothing 150\text{mm}$ (6ins) ducting to the spigot on top of the hood body as illustrated.
- When using $\varnothing 125\text{mm}$ (5ins) ducting fit **item 9** and **10** on to the spigot on the top of the hood body as illustrated.
- For the best performance use the shortest possible run of ducting and we recommend the use of rigid pipe in preference to flexible hose as this will improve the flow of air while reducing turbulence, which causes noise and a loss of performance.
- If the room where the cooker hood is to be used contains a fuel burning appliance such as a central heating boiler, then its flue must be of the room sealed or balanced flue type.
- If other types of flue or appliances are fitted ensure that there is an adequate supply of air to the room.
- The cooker ducting when fitted in the extraction mode must never be connected to central heating flues, radiators or water heaters.

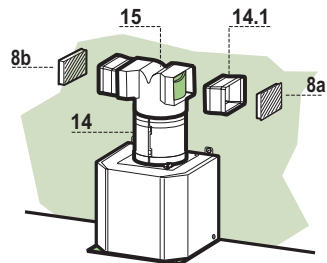


Recirculation Mode

The cooker hood is supplied specified for use in the recirculation mode, with the charcoal filter fitted.

In the recirculation mode contaminated air is passed through the charcoal filter to be purified and recirculated into the kitchen through the grille outlets on either side of the chimney.

- Assemble the two halves of the ducting extension pipe item 14.
- Push-fit the extension pipe on to the ducting spigot on top of the canopy.
- Push-fit the recirculation adapter item 15 on to extension pipe item 14.
- Insert the recirculation outlet extensions item 14.4 into the recirculation adapter item 15.
- The recirculation grilles item 8a and 8b must be fitted after the lower chimney item 2.2 has been fitted.
- Ensure the activated charcoal filter has been fitted.

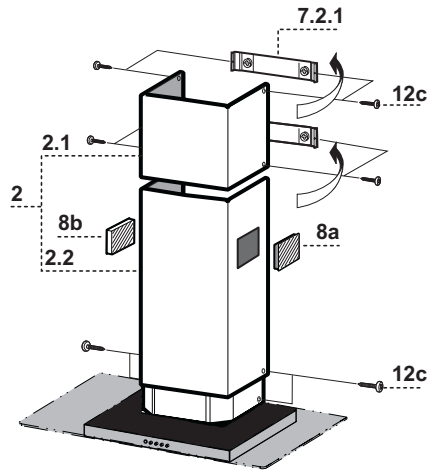


Fitting the Upper Chimney

- Expand the sides of the upper chimney stack item 2.1 and place the chimney over the two brackets 7.2.1 ensuring they are well seated.
- Secure the chimney stack to the brackets 7.2.1 using the four self tapping screws item 12c (2.9 x 9.5mm) supplied.

Fitting the Lower Chimney

- Expand the of the lower chimney stack item 2.2 and place the chimney over the upper chimney stack item 2.1 and the canopy.
- Secure the chimney stack to the canopy using the two screws item 12c (2.9 x 9.5mm) supplied..
- After the chimney has been secured into position, insert the two plastic recirculation grilles item 8a (right-hand) and 8b (left-hand) in the apertures on each side of the chimney. The grilles are marked with two arrows and should be fitted with one arrow pointing upwards and the other toward the front.
- When the hood is used in the recirculation mode ensure that the grilles are properly secured to the recirculation extension spigot item 14.1.



Electrical Connections

DOUBLE INSULATED DO NOT EARTH

Electrical Requirements

Any permanent electrical installation must comply with the latest I.E.E. Regulations and local Electricity Board regulations. For your own safety this should be undertaken by a qualified electrician e.g. your local Electricity Board, or a contractor who is on the roll of the National Inspection Council for Electrical Installation Contracting (NICEIC).

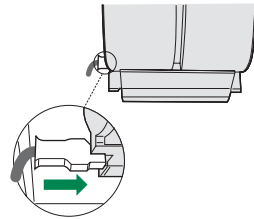
Electrical Connection

Before connecting to the mains supply ensure that the mains voltage corresponds to the voltage on the rating plate inside the cooker hood.

Remove the grease filters (see paragraph Maintenance) being sure that the connector of the feeding cable is correctly inserted in the socket placed on the side of the fan.

This appliance is fitted with a 3 core mains cable and must be permanently connected to the electricity supply via a double-pole switch having 3mm minimum contact gap on each pole. A Switched Fuse Connection Unit to BS1363 Part 4, fitted with a 3 Amp fuse, is a recommended mains supply connection accessory to ensure compliance with the Safety Requirements applicable to fixed wiring instructions.

This appliance conforms to BS 800: 1988 and EEC Directive No. 78 308 regarding suppression of radio and television interference.



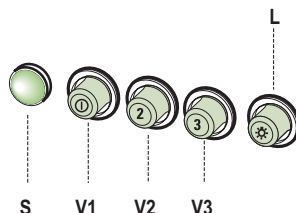
Using the cooker hood

The cooker hood is designed to extract unpleasant odours from the kitchen, it will not extract steam. The appliance can be installed to recirculate or extract contaminated air.

Cooker Hood Controls

The cooker hood functions are controlled by four push button switches located centrally in the control fascia.

- L** Turns the worktop lighting **On** and **Off**
- S** Mains light - illumination indicates fan motor is running
- V1** Motor **ON/OFF** switch. Depress to turn the extractor motor on at a **LOW** speed, to ensure that light cooking vapours are silently extracted.
- V2** Medium speed, suitable for general use. This speed provides an optimum treated air flow to noise level ratio.
- V3** Maximum speed, used to extract intensive levels of cooking vapour emissions.



To Operate

Select the required fan speed and light if required.

Recirculation

In the recirculation mode the contaminated air enters the cooker hood through the grease filters. The air is cleaned by passing through the charcoal filters before being passed back into the kitchen through the grilles in either side of the chimney stack.

Extraction

In the extraction mode the contaminated air enters the cooker hood passing through the grease filters and is passed out through the ducting into the atmosphere.

To obtain the best performance when cooking it is advisable to switch the cooker hood on for a few minutes before you start cooking and leave it running for about 15 minutes after finishing.



When used in the ducting mode the charcoal filters are not required.

Never do flambé cooking under this cooker hood.

Never leave frying pans unattended during use, as over-heated fats and oils can catch fire.

Do not leave naked flames under the cooker hood.

Ensure heating areas on your hob are covered with pots and pans when using the hob and cooker hood simultaneously.


Maintenance and Cleaning

 **Before carrying out any maintenance or leaning isolate the cooker hood from the mains supply.**

The cooker hood must be kept clean, as a build up of grease or fat can be a fire hazard.

External cleaning


Wipe the cooker hood frequently with warm soapy water using a mild detergent.

 **Never use scouring pads or abrasive cleaners.**

Never use excessive amounts of water when cleaning particularly around the control panel.

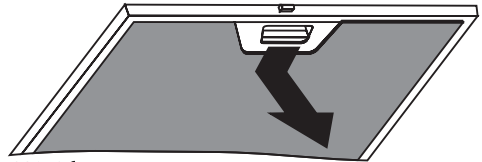
Metal Grease Filters

The grease filters absorb grease and dust during cooking to help keep the cooker hood clean inside, and should be cleaned approximately once every month or more often if the hood is used for more than 3 hours a day.


 **Remove the metal grease filters one at a time by:**

Releasing the catches on the filters, the filters can be removed.

The metal grease filters should be washed, by hand, in mild soapy water or in a dishwasher. Allow to dry completely before replacing.



281_06

 **Before carrying out any maintenance or cleaning isolate the cooker hood from the mains supply.**

Charcoal Filters

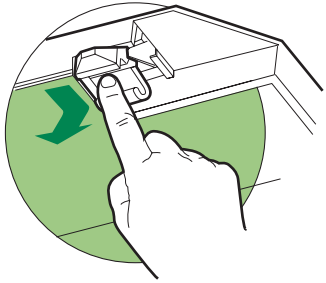
In the recirculation mode the charcoal filters absorb smells and unwanted odours.


The charcoal filters cannot be cleaned, we recommend they should be replaced approximately every three months or more often if the hood is used for more than three hours per day.



To Remove/Replace the Charcoal Filters

1. First remove the metal grease filters.
2. Remove the saturated activated charcoal filter by releasing the fixing hooks as illustrated.
3. Position the new charcoal filter in the position marked and while holding the filter replace the fixing hooks as illustrated



 **This appliance can be a possible fire hazard if the grease and charcoal filters are not cleaned and replaced as recommended.**

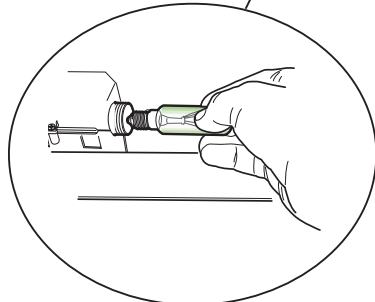
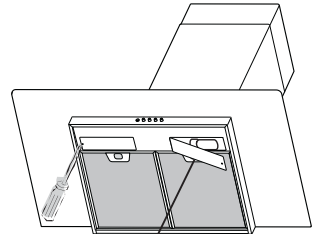


Changing the Light Bulb

1. Remove the screw fastening the lamp cover.
2. Pull the lamp cover downwards.
3. Rotate the light bulb anti-clockwise to unscrew.
4. To replace the light bulb insert a replacement into the holder then rotate the bulb clockwise into position. Ensure you take care not to overtighten the bulb.
5. Replace the lamp cover.

If the light bulb fails to function check that the bulb is fully screwed into the holder. If bulb failure has occurred then it should be replaced with a 220-240Volt 40W clear globe shaped bulb with a small E14 screw thread.

Replacement filters and light bulbs can be obtained from your local Service Force Centre.



Something not Working

If the appliance is not working correctly, please carry out the following checks, before contacting your local Service Force agent.

IMPORTANT: If you call out an engineer to a fault listed below, or to repair a fault caused by incorrect use or installation, a charge will be made even if the appliance is under guarantee.

Symptom	Solution
The cooker hood will not start	<ul style="list-style-type: none">• Check the hood is connected to the electricity supply.• Make sure the switch is in the 'ON' position.
The cooker hood is not working effectively	<ul style="list-style-type: none">• Check that the fan speed is set high enough for the task.• Ensure the grease filter is clean.• Ensure the kitchen is adequately vented to allow the entry of fresh air.• If set up for recirculation, check that the charcoal filter is still effective.• If set up for extraction, check that the ducting and outlets are not blocked.
The cooker hood has switched off during operation	<ul style="list-style-type: none">• The safety cut-out device has been tripped.• Turn off the hob and then wait for the device to reset.

Repairs and After Sales Service

In the event of your appliance requiring service, or if you wish to purchase spare parts, please contact our extended warranty administrators by telephoning:

0870 01 07887

They will give you details for your local Service Force Centre.

Before calling out an engineer, please ensure you have read the details under the heading "Something Not Working".

Your oven is covered by a 3 year parts and labour guarantee (see separate details given at point of sale). Please retain your purchase receipt safely for the service engineer to verify the purchase details.

When you contact the Service Force Centre you will need to give the following details:

1. Your name, address and post code
2. Your telephone number
3. Clear and concise details of fault
4. The model and serial number of the appliance (found on the rating plate - see picture)



5. The purchase date.
Please note that a valid purchase receipt is required for in-guarantee service calls.

John Lewis Partnership
171 Victoria Street
London SW1E 5NN
www.johnlewis.com